

傑凱工業設備有限公司

JIEKAI INDUSTRIAL EQUIPMENT CO.,LTD.

電話/TEL : 0769-28057055/28057066/22778262

傳真/FAX : 0769-22778212

免費電話/Toll-free hotline : 400-808-6198

地址/Add : 廣東省東莞市萬江共聯社區第二工業區

Wangjiang Second Industrial Zone, Dongguan, Guangdong Province

蘇州傑利凱工業設備有限公司

SUZHOU JIELIKAI INDUSTRIAL EQUIPMENT CO.,LTD.

電話/TEL : 0512-55258321

傳真/FAX : 0512-55258312

免費電話/Toll-free hotline : 400-808-6198

地址/Add : 江蘇省昆山市經濟開發區馬塘路255號

No. 255, Economic Development Zone, Kunshan City, Jiangsu Province

天津傑凱泵業有限公司

TIANJIN JIEKAI INDUSTRIAL EQUIPMENT CO.,LTD.

電話/TEL : 022-27934359 13820284148

傳真/FAX : 022-27934359

地址/Add : 天津市西青區楊柳青鎮雙河村

Shuanghe Village, Yangliuqing Town, Xiqing District, Tianjin

傑凱工業設備有限公司 (重慶分公司)

JIEKAI INDUSTRIAL EQUIPMENT CO.,LTD. (CHONGQING BRANCH)

電話/TEL : 023-68151380

傳真/FAX : 023-68151380

地址/Add : 重慶市九龍坡區金科機電城B區117號

No.117 Jinke Electromechanical City, Jiulongpo District, Chongqing

山東辦事處

SHANDONG BRANCH

電話/TEL : 13954298833

地址/Add : 山東省青島市膠州高家電鍍城

Gaojia Plating City, Jiaozhou, Qingdao, Shandong Province



Web: www.jkpump.com

E-mail : jkbiz@jk-pump.com

本資料僅供參考, 如有變更恕不另行通知。

This information is for your reference, if change will not inform you again



化学药液精密过滤设备 PRECISION FILTER-PUMP



傑凱泵業

化工泵首選品牌

CHEMICAL PUMP, YOUR FIRST BRAND CHOICE



COMPANY PROFILE 公司簡介

傑凱公司自成立以來，一直秉承“以質量求生存，以技術求發展”的原則，依據國際管理體系，結合國外先進技術，堅持自主研發生產，嚴控產品質量標準，以期為客戶提供更加優質的產品和服務。

歷經多年耕耘，傑凱公司已擁有十餘年化工泵浦與化學藥液精密過濾機的研發及生產技術，並已形成了完善的前售、售中、售後服務體系；目前傑凱公司在全國建立了廣泛的銷售及服務網絡，能及時為客戶提供優質的產品與服務。經過持續不斷發展，傑凱公司已經成為化工泵浦和精密過濾設備領域中的標桿企業！

主營產品：可空轉直立式耐酸鹼泵、耐腐蝕磁力泵、自吸式耐酸鹼泵、耐酸鹼不銹鋼泵、雙塔過濾機、鉻酸過濾機、連續鍍過濾機、水平清洗線過濾機、化學鍍（鎳）專用過濾機、不銹鋼過濾機等各種化學藥液精密過濾機。

Since established, Jiekai company always insists on "strives for the survival by the quality, technology for the survival by the development" principle, according to the international management system, combined with foreign advanced technology, adhere to independent research and development production, and strictly controls product quality standards, in order to provide customers with high quality products and services.

After years of hard work, Jiekai company has more than 10 years of development and production technology of the chemical pump and precision chemical filter, and has formed the perfect pre-sale, selling and after-sale service system; In China we established a wide sales and service network, timely to provide customers with quality products and services. Through continuous development, Jiekai company has become a chemical pump precision filtration equipment benchmarking enterprise in the field of the industrial.

The main products: idling upright acid and alkali resistant vertical pump, corrosion resistant magnetic pump, self-priming pump, stainless steel acid and alkali resistant pump, twin towers filter, Chromic acid filter, continuous plating, the level of cleaning line filter Chemical plating (nickel) special filter, stainless steel filter, various chemical solution precision filter and so on.

COMPANY ABILITY 企業實力

嚴謹的流程體系、優勢的生產規模、精益的生產實力。
The rigorous process system, the advantages of the scale of production, lean production strength.

- 自主研發：精準研發，科學設計。
- 科學嚴謹：參考ISO15783、GB10889、GBT29529設計要求/測試標準。
- 全製程生產：從源頭到成品，科學管理，精益生產。
- 直銷直管：廠家直營，專業高效，無假貨、無仿品。
- Independent research and development: precise research and development, the reasonable design
- Rigorous science, reference ISO15783, GB10889, GBT 29529 standard design and test.
- Whole production process: from the raw material to the finished product, scientific management, lean production.
- Direct selling and direct management: manufacturer directly, professional and efficient, without the counterfeit goods, without replicas.



THE ENGINEERING CASE

◆ 工程案例



PRODUCT FEATURES

過濾機產品特性

超厚的過濾桶結構，完全滿足工作壓力要求，安全牢固。

The thickened filtering house structure, can satisfy the product work pressure needs, security and firm are reliable.

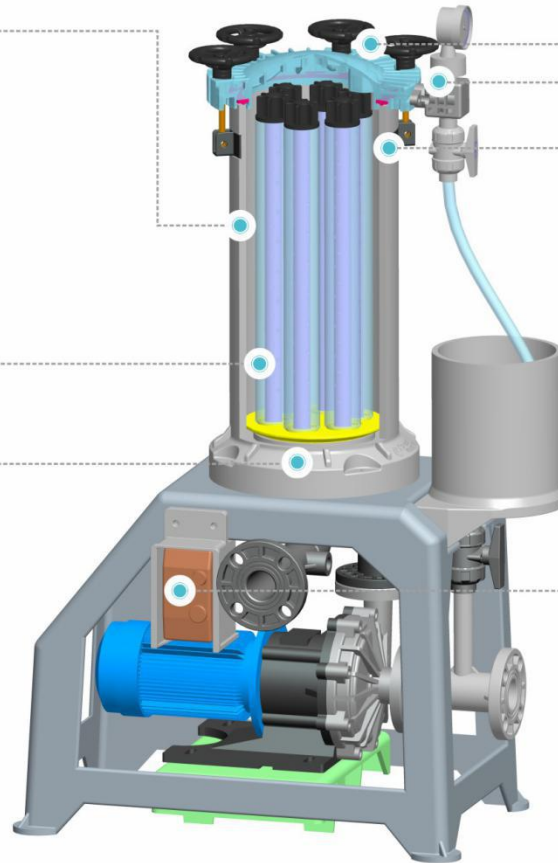


可配不同種類濾材，高效過濾，適用範圍廣泛。

Suitable scope is broad. The filter can match different filter materials. It has high efficiency filter function.

過濾桶一體成型壓鑄，無氣孔，絕對避免介質洩漏。

Integrated filter house, the house with no pores, absolutely avoids liquid leakage.



新款加強型星形把手，結構更牢固，操作更方便。

Enhanced star handle, the structure will be firmer, and operation will be more convenient.



加強型固定鉗環，提高鉗環負載能力，保證結構牢固耐用。

Strengthen the fixed frame and reinforced screw. Improve frame clamp torque load and ensure the structure firm and durable.



優質隔膜式壓力表，通用性強，使用壽命長。

High quality diaphragm type pressure gauge, so it has strong versatility, long service life.



精密智能防超載開關，避免設備異常運行，延長使用壽命。

Precision overload intelligent switch, to avoid abnormal operation. Extends the product life.

JK SERIES

◆ JK系列



● 性能特點/Feature Description

- 過濾機桶身採用FRPP材料，可根據客戶要求選擇不同材質；
- 超厚的過濾機濾桶，配合加強型的固定鉗環，完全滿足工作壓力需求；
- 配合加強型把手，結構更牢固，操作更方便；
- 可配不同種類濾材，高效過濾，適用範圍廣泛；
- 可廣泛用於酸鹼液體，電鍍液，蝕刻液，清洗液等工況。
- Filter house adopts FRPP material injection molding, according to the customer request can choose PVDF and transparent acrylic material, PVC material.
- The thickened filtering house structure, can satisfy the product work pressure needs, security and firm are reliable.
- Enhanced star handles, the structure will be firmer, and operation will be more convenient.
- Suitable scope is broad. The filter can match different filter materials. It has a high efficiency filter function.
- Can be widely used in acid and alkali liquid, plating solution, etching liquid, cleaning fluid condition and so on.

● 型號表示方法/Model Representation Method

- 機型編號/Model : JK _____
- 濾桶規格/Cartridges : 1001 (Φ145mm) 1004 (Φ200mm) 2001 (Φ145mm)
2004 (Φ200mm) 2006 (Φ280mm) 2008 (Φ315mm)
2012 (Φ400mm) 2018 (Φ450mm) 3018 (Φ450mm)
- 濾桶材質/Material : F-FRPP P-PVDF _____
- 濾材形式/Cartridge Type : B-濾芯鎖帽式 Lock Core Filter C-濾芯壓板式 Pressure Core Filter
K-楊桃濾布式 Bellow Filter P-濾紙式 Paper Filter U-濾袋式 Filter Bag
- 橡膠材質/Rubber : E-EPDM V-VITON _____
- 出入口形式/Connection Type : U-由任式 Union F-法蘭式 Flange H-套管式 Hose
- 出入口規格/Outlet Spec. : G -公製 Metric system Y -英製 British system J -日製 Japanese system
- O : 不必使用活性炭裝置 Needn't use activated Carbon
W : 要加裝活性炭裝置 (即是循環回路) Need use activated Carbon (It is the circular tube)
- 泵浦型號/Pump model : X-泵浦具體型號 Specific Pump Model _____

JK- 2006- F B E F G O- X



● 規格表/Specifications

規格 Spec.	參考過濾量 Capacity (l/min)	濾桶材質 Casing.M	濾芯規格 Cartridges	最高溫度 Max.Temp(°C)	泵浦功率 Power(Kw)	出入口徑 Outlet*Inlet (mm)
JK-1001	15	FRPP	10" * 1	70	0.045	20*20
JK-1004	60	FRPP	10" * 4	70	0.18	25*25
JK-2001	30	FRPP	20" * 1	70	0.065	20*20
JK-2004	80	FRPP	20" * 4	70	0.25	25*25
JK-2006(1HP)	150	FRPP	20" * 6	70	0.75	40*40
JK-2008(1HP)	180	FRPP	20" * 8	70	0.75	40*40
JK-2008(2HP)	220	FRPP	20" * 8	70	1.5	50*50
JK-2012(2HP)	250	FRPP	20" * 12	70	1.5	50*50
JK-2018(3HP)	330	FRPP	20" * 18	70	2.2	50*50
JK-3018(3HP)	440	FRPP	30" * 18	70	2.2	50*50

JKL SERIES

◆JKL系列



● 性能特點/Feature Description

- 標配濾桶材質為PVC、泵浦材質為PVDF，適合鉻酸鍍液循環過濾。
- 加強型固定鉤環和加強型螺絲，提高鉤環扭矩負載，保證結構牢固耐用。
- 優質隔膜式壓力錶，通用性強，使用壽命長。
- 新款加強型星型把手，結構更牢固，操作更方便。
- Standard: filter housing material is PVC, pump material is PVDF, suitable for cycle and filter chromic acid liquid.
- Strengthen fixed buckle and reinforced screw, improve the frame clamp torque load and ensure the structure is firm and durable.
- High quality diaphragm pressure gauge, versatility, and long distance life.
- New enhanced star handle, structure more solid, operation more convenient.



● 型號表示方法/Model Representation Method

JKL-2006-V B E F G O- X

- 機型編號/Model : JKL
- 濾桶規格/Cartridges : 1004 (Φ200mm) 2004 (Φ200mm) 2006 (Φ280mm) 2008 (Φ315mm) 2012 (Φ400mm) 2018 (Φ400mm)
- 濾桶材質/Material : V-PVC C-CPVC
- 濾材形式/Cartridge Type : B-濾芯鎖帽式Lock Core Filter
- 橡膠材質Rubber : E-EPDM V-VITON
- 出入口形式/Connection Type : U-由任式Union F-法蘭式Flange
- 出入口規格/Outlet Spec. : G-公製 Metric system Y-英製British system J-日製 Japanese system
- O: 不必使用活性炭裝置Needn't use activated Carbon W: 要加裝活性炭裝置 (即是循環回路) Need use activated Carbon(It is the circular tube)
- 泵浦型號Pump model: X-泵浦具體型號Specific Pump Model

● 規格表/Specifications

規格 Spec.	參考過濾量 Capacity (l/min)	濾桶材質 Casing.M	濾芯規格 Cartridges	最高溫度 Max.Temp(°C)	泵浦功率 Power(Kw)	出入口徑 Outlet*Inlet (mm)
JKL-1004	40	PVC	10" * 4	60	0.18	25*25
JKL-2004	80	PVC	20" * 4	60	0.25	25*25
JKL-2006	160	PVC	20" * 6	60	0.75	40*40
JKL-2008	180	PVC	20" * 8	60	1.5	50*50
JKL-2012	220	PVC	20" * 12	60	1.5	50*50
JKL-2018	330	PVC	20" * 18	60	2.2	50*50

JKY SERIES

◆JKY系列



● 性能特點/Feature Description

- 主體採用亞克力材質加工，耐腐蝕，適用範圍廣。
- 設備運行時，可隨時便捷地了解濾桶工作狀況。
- 蓋板、濾材等配件材質亦可根據客戶要求選擇。
- 超厚的濾桶，配合加強型的固定卸環，完全滿足工作壓力需求。
- 新款加強型星型把手，結構更牢固，操作更方便。
- 配合使用傑凱品牌耐腐蝕泵，性能穩定。
- The filter housing is made of Acrylic, the plate adopts PP material, corrosion resistance, wide range of application.
- When equipment operate, you can convenient know the filter housing work conditions at any time.
- According to customer's requirement, the Cover plate, filter cartridge and other accessories can choose different material.
- The ultra thick filter housing with enhanced fixed frame clamp, it can fully meet the pressure of work demand.
- New enhanced star handle, it have many advantages: structure firmer, more convenient operation.
- Match up Jiekai brand corrosion resistant pump, performance more stable.

● 型號表示方法/Model Representation Method

JKY- 2006- Y B E F G O- X

- 機型編號/Model : JKY
- 濾桶規格/Cartridges : 1001 (Φ145mm) 2001 (Φ145mm) 2004 (Φ200mm) 2006 (Φ280mm) 2008 (Φ315mm)
- 濾桶材質/Material : Y-亞克力 (Acrylic)
- 濾材形式/Cartridge Type : B-濾芯鎖帽式Lock Core Filter
- 橡膠材質/Rubber : E-EPDM V-VITON
- 出入口形式/Inlet/Outlet Connection Type : U-由任式Union F-法蘭式Flange H-套管式Hose
- 出入口規格/Outlet Spec. : G -公製 Metric system Y -英製British system J-日製 Japanese system
- O : 不必使用活性炭裝置Needn't use activated Carbon
- W : 要加裝活性炭裝置 (即是循環回路) Need use activated Carbon(It is the circular tube)
- 泵浦型號/Pump model : X-泵浦具體型號Specific Pump Model

● 規格表/Specifications

規格 Spec.	參考過濾量 Capacity (l/min)	濾桶材質 Casing.M	濾芯規格 Cartridges	最高溫度 Max.Temp(°C)	泵浦功率 Power(Kw)	出入口徑 Outlet*Inlet (mm)
JKY-1001	15	亚克力(PMMA)	10" * 1	60	0.045	20*20
JKY-1002	30	亚克力(PMMA)	10" * 2	60	0.065	20*20
JKY-1004	60	亚克力(PMMA)	10" * 4	60	0.18	25*25
JKY-2001	30	亚克力(PMMA)	20" * 1	60	0.065	20*20
JKY-2002	60	亚克力(PMMA)	20" * 2	60	0.18	25*25
JKY-2004	80	亚克力(PMMA)	20" * 4	60	0.25	25*25
JKY-2006	150	亚克力(PMMA)	20" * 6	60	0.75	40*40
JKY-2008	180	亚克力(PMMA)	20" * 8	60	1.5	50*50

JKS SERIES

◆JKS系列



● 性能特點/Feature Description

- 採用雙濾桶設計，第一桶進行初步過濾，第二桶進行活性炭過濾/濾芯過濾，以適合客戶精密過濾要求。
- 過濾桶一體成型壓鑄，無氣孔，絕對避免介質洩漏。
- 超厚的過濾桶結構，完全滿足工作壓力要求，安全牢固。
- 精密智能防超載開關，避免設備異常運行，延長使用壽命。
- 可配不同種類濾材，高效過濾，適用範圍廣泛。
- 加強型固定卸環和加強型螺絲，提高卸環抗扭距負載，保證結構牢固耐用。
- 新款加強型把手，結構更牢固，操作更方便。
- Adopts double filtering housing design (three filtering process), first housing is preliminary filter, the second housing is activated carbon filtration/ filter filtration, finally suitable customer precise filtration requirements.
- Filter housing is integrated die casting, no pores, absolutely avoid liquid leaks.
- The ultra thick filter housing with enhanced fixed frame clamp, it can fully meet the pressure of work demand.
- Precision control intelligent switch prevent overload, avoid abnormal operation, extend service life.
- Suitable scope is broad.The filter can match different filter cartridge ,it has a high efficiency filter function.
- Strengthen the fixed frame and reinforced screw. Improve frame clamp torque load and ensure the structure firm and durable.
- New enhanced star handle ,it have many advantages:structure firmer, more convenient operation.



● 型號表示方法/Model Representation Method

- JKS- 2008- P B B E F G O- X
- 機型編號/Model : JKS
 - 第一塔規格Cartridge : 2008 (Φ315mm) 2012 (Φ400mm) 2018 (Φ450mm)
 - 濾桶材質/Casing Material : F-FRPP P-PVDF
 - 第一塔濾材形式The First Tower Cartridge Type : B-濾芯鎖帽式Lock Core Filter
C-濾芯壓板式Pressure Core Filter
K-楊桃濾布式 Bellow Filter
P-濾紙式Paper Filter
U-濾袋式 Filter Bag
 - 第二塔濾材形式The First Tower Cartridge Type : B-濾芯鎖帽式Lock Core Filter
K-楊桃濾布式 Bellow Filter
P-濾紙式Paper Filter
U-濾袋式 Filter Bag
 - 橡膠材質Rubber : E-EPDM V-VITON
 - 出入口形式/Inlet/Outlet Connection Type : U-由任式Union F-法蘭式Flange H-套管式Hose
 - 出入口規格/Outlet Spec. : G -公製Metric system Y -英製British system J-日製Japanese system
 - O : 不必使用活性炭裝置Needn't use activated Carbon
W : 要加裝活性炭裝置 (即是循環回路) Need use activated Carbon(It is the circular tube)
 - 泵浦型號/Pump model : X-泵浦具體型號Specific Pump Model

● 規格表/Specifications

規格 Spec.	參考過濾量 Capacity (l/min)	濾桶材質 Casing.M	第一塔濾材規格 The First Tower			第二塔濾材規格 The Second Tower			最高溫度 Max.Temp(°C)	泵浦功率 Power(Kw)	出入口徑 Outlet*Inlet (mm)
			濾芯規格 Cartridges	濾芯規格 Cartridges	濾紙規格 Cartridges	濾芯規格 Cartridges	濾紙規格 Cartridges				
JKS-2006	150	FRPP	20" * 6	10" * 6	Φ234*40	70	0.75	40*40			
JKS-2008	220	FRPP	20" * 8	10" * 6	Φ234*40	70	1.5	50*50			
JKS-2012	250	FRPP	20" * 12	10" * 6	Φ302*40	70	1.5	50*50			
JKS-2018	330	FRPP	20" *18	10" * 6	Φ370*40	70	2.2	50*50			



● 性能特點/Feature Description

- 本設備專用於化學鍍生產線製程。
- 過濾桶採用特殊材質製作，耐高溫，耐腐蝕。
- 使用傑凱品牌可空轉式耐酸鹼泵，不結晶，耐高溫，性能穩定，使用壽命長。
- 結構緊湊，節約空間，操作簡單，維護方便。
- 精密智能防超載開關，避免設備異常運行，延長使用壽命。
- This equipment specialized using in chemical plating production line process.
- Filtering house adopt PVDF material, it has high temperature resistant to acid and alkali resistant feature.
- Match up Jiekai idling and corrosion resistant pump, No crystallization, high temperature resistant, the performance will be more stable, and can use long distance.
- Compact structure, space saving, simple operation, convenient maintenance.
- Precision control intelligent switch prevent overload, avoid abnormal operation, extend service life.

● 型號表示方法/Model Representation Method

JKC- 2006- F B E F G- X

- 機型編號/Model : JKC _____
- 濾桶規格/Cartridges : 1004 (Φ200mm) 2004 (Φ200mm) 2006 (Φ280mm)
2008 (Φ315mm) 2012 (Φ400mm) 2018 (Φ450mm)
3018 (Φ450mm)
- 濾桶材質/Material : F-FRPP P-PVDF _____
- 濾材形式/Cartridge Type : B-濾芯鎖帽式Lock Core Filter C-濾芯壓板式Pressure Core Filter
- 橡膠材質/Rubber : E-EPDM V-VITON _____
- 出入口形式/Inlet/Outlet Connection Type : U-由任式Union F-法蘭式Flange _____
- 出入口規格/Outlet Spec. : G -公製 Metric system Y -英製British system J-日製Japanese system _____
- 泵浦型號/Pump model : X-泵浦具體型號Specific Pump Model _____

● 規格表/Specifications

規格 Spec.	參考過濾量 Capacity (l/min)	濾桶材質 Casing.M	濾芯規格 Cartridges	最高溫度 Max.Temp(°C)	泵浦功率 Power(Kw)	出入口徑 Outlet*Inlet (mm)
JKC-1004	40	FRPP	10" * 4	70	0.25	25*25
JKC-2004	80	FRPP	20" * 4	70	0.37	25*25
JKC-2006	160	FRPP	20" * 6	70	0.75	40*40
JKC-2008	180	FRPP	20" * 8	70	1.5	40*40
JKC-2012	220	FRPP	20" * 12	70	1.5	40*40
JKC-2018	330	FRPP	20" * 18	70	2.2	50*50
JKC-3018	400	FRPP	30" * 18	70	2.2	50*50

JKK SERIES

◆ JKK系列



● 性能特點/Feature Description

- 適合LCD/LED/PCB等精密水平生產線之過濾設備。
- 超厚的濾桶，確保滿足工作壓力需求。
- 使用傑凱品牌可空轉式耐酸鹼泵，效率高，性能穩定。
- 體積小，易安裝，維護方便。
- The filter suitable for LCD/LED/PCB precision filtration equipment level line.
- The ultra thick filter housing with enhanced fixed frame clamp, it can fully meet the pressure of work demand.
- Match up Jiekai idling and corrosion resistant pump, high efficiency and the performance will be more stable.
- Small volume, easy to install, easy to maintain.



● 型號表示方法/Model Representation Method

JKK- 1003- F B E U G- X

- 機型編號/Model : JKK
- 濾桶規格/Cartridges : 1003 (Φ200mm)
- 濾桶材質/Material : F-FRPP
- 濾材形式/Cartridge Type : B-濾芯鎖帽式Lock Core Filter
- 橡膠材質/Rubber : E-EPDM V-VITON
- 出入口形式/Inlet/Outlet Connection Type : U-由任式Union
- 出入口規格/Outlet Spec. : G -公製Metric system Y -英製British system J -日製Japanese system
- 泵浦型號/Pump model : X-泵浦具體型號Specific Pump Model

● 規格表/Specifications

規格 Spec.	參考過濾量 Capacity (l/min)	濾桶材質 Casing.M	濾芯規格 Cartridges	最高溫度 Max.Temp(°C)	泵浦功率 Power(Kw)	出入口徑 Outlet*Inlet (mm)
JKK-1003	160	FRPP	10" * 3	70	0.75	40*40
JKK-1003	180	FRPP	10" * 3	70	1.5	40*40
JKK-1003	330	FRPP	10" * 3	70	2.2	40*50
JKK-1003	480	FRPP	10" * 3	70	3.7	40*50



● 性能特點/Feature Description

- 本設備適合連續電鍍設備藥液循環過濾製程。
- 結構緊湊，節約空間，操作簡單，維護方便。
- 可配不同種類濾材，高效過濾，適用範圍廣泛。
- 加強型固定卸環和加強型螺絲，提高抗壓能力，保證結構牢固耐用。
- 新款加強型把手，結構更牢固，操作更方便。
- 優質隔膜式壓力表，通用性強，使用壽命長。
- The machine suitable for continuous plating chemical liquid circulation filtration process.
- It have some advantages,like compact structure, space saving, simple operation, convenient maintenance.
- Suitable scope is broad.The filter can match different filter cartridge ,it has a high efficiency filter function .
- Strengthen the fixed frame and reinforced screw. Improve frame clamp torque load and ensure the structure firm and durable .
- New enhanced star handle ,it have many advantages:structure firmer, more convenient operation.
- High quality diaphragm pressure gauge, versatility, and long distance life .

● 型號表示方法/Model Representation Method

JKE- 2006- F B E F G- X

- 機型編號/Model : JKE _____
- 濾桶規格/Cartridges : 1001 (Φ140mm) 2001 (Φ140mm)
2004 (Φ200mm) 2006 (Φ280mm)
- 濾桶材質/Material : F-FRPP _____
- 濾材形式/Cartridge Type : B-濾芯鎖帽式Lock Core Filter _____
- 橡膠材質/Rubber : E-EPDM V-VITON _____
- 出入口形式/Inlet/Outlet Connection Type : U-由任式Union F-法蘭式Flange H-套管式Hose _____
- 出入口規格/Outlet Spec. : G -公製Metric system Y -英製British system J-日製Japanese system _____
- 泵浦型號/Pump model : X-泵浦具體型號Specific Pump Model _____

● 規格表/Specifications

規格 Spec.	參考過濾量 Capacity(l/min)	濾桶材質 Casing.M	濾芯規格 Cartridges	最高溫度 Max.Temp(°C)	泵浦功率 Power(Kw)	出入口徑 Outlet*Inlet (mm)
JKE-1001	33	FRPP	10" * 1	70	0.09	20*20
JKE-1004	80	FRPP	10" * 4	70	0.25	25*25
JKE-2001	70	FRPP	20" * 1	70	0.18	20*20
JKE-2004	150	FRPP	20" * 4	70	0.37	25*25
JKE-2006	170	FRPP	20" * 6	70	0.75	25*25

JLK SERIES

◆JLK系列



● 性能特點/Feature Description

- 本設備適用於高溫、高壓或易燃易爆介質。
- 濾桶材質有SUS304或SUS316選擇，濾材可選濾袋式和濾芯式。
- 高精密過濾，過濾面積廣，效率高，易清洗。
- 加強型緊固件，耐壓高，安全耐用。
- Suitable for high temperature, flammable, explosive and volatile liquid environment.
- This machine has SUS304, SUS316 material for option. The filter can match different filter materials.
- High precision filter, filter area is wide, high efficiency, easy to clean.
- Enhanced solid parts, high voltage, safe and durable.

● 型號表示方法/Model Representation Method

JLK- 2008- 4 B E F G- X

- 機型編號/Model : JLK _____
- 濾桶規格/Cartridges : 2003 (Φ219mm) 2005 (Φ219mm) 2006 (Φ250mm)
2007 (Φ250mm) 2008 (Φ273mm) 2012 (Φ325mm)
- 濾桶材質/Casing Material : 4:SUS304 6:SUS316
- 濾材形式/Cartridge Type : B-濾芯鎖帽式Lock Core Filter U-濾袋式 Filter Bag
- 橡膠材質/Rubber : E-EPDM V-VITON
- 出入口形式/Inlet/Outlet Connection Type : Y-牙口式 (Thread) F-法蘭式Flange
- 出入口規格/Outlet Spec. : G -公製Metric system Y -英製British system J-日製Japanese system
- 泵浦型號/Pump model : X-泵浦具體型號Specific Pump Model

● 規格表/Specifications

規格 Spec.	参考過濾量 Capacity(l/min)	濾桶材質 Casing.M	濾芯規格 Cartridges	或濾袋式 Or Bag Filter	最高溫度 Max.Temp(°C)
JLK-2003	100-200	SUS304/SUS316	20" * 3	Φ180*450	200
JLK-2005	167-334	SUS304/SUS316	20" * 5	Φ180*450	200
JLK-2006	200-400	SUS304/SUS316	20" * 6	Φ200*450	200
JLK-2007	233-466	SUS304/SUS316	20" * 7	Φ230*450	200
JLK-2008	267-534	SUS304/SUS316	20" * 8	Φ230*450	200

JL SERIES

◆ JL系列



● 性能特點/Feature Description

- 過濾機桶身採用FRPP材料，可根據客戶要求選擇不同種類。
 - 超厚的過濾機濾桶，配合加強型的固定鉗環，完全滿足工作壓力需求。
 - 配合加強型把手，結構更牢固，操作更方便。
 - 可配不同種類濾材，高效過濾，適用範圍廣泛。
 - 可廣泛用於酸鹼液體、電鍍液、蝕刻液、清洗液等工況。
- Filter housing adopts FRPP material injection molding, can according to customer's requirement choose PVDF, PVC and transparent acrylic material.
 - The ultra thick filter housing with enhanced fixed frame clamp, it can fully meet the pressure of work demand.
 - With enhanced star handle, it have many advantages: structure firmer, more convenient operation.
 - Suitable scope is broad. The filter can match different filter cartridge, it has a high efficiency filter.
 - It can be widely used in acid and alkali liquid, plating solution, etching liquid, cleaning liquid condition, etc.



● 型號表示方法/Model Representation Method

- JL- 2006- F B E F G- B
- 機型編號/Model : JL
 - 濾桶規格Cartridge : 1001 (Φ145mm) 2001 (Φ145mm) 2004 (Φ200mm)
2006 (Φ280mm) 2008 (Φ315mm) 2012 (Φ400mm)
2018 (Φ450mm) 3018 (Φ450mm)
 - 濾桶材質/Casing Material : F-FRPP P-PVDF
 - 濾材形式Cartridge Type : B-濾芯鎖帽式Lock Core Filter C-濾芯壓板式Pressure Core Filter
K-楊桃濾布式 Bellow Filter P-濾紙式Paper Filter
U-濾袋式 Filter Bag
 - 橡膠材質Rubber : E-EPDM V-VITON
 - 出入口形式/Inlet/Outlet Connection Type : U-由任式Union F-法蘭式Flange
 - 出入口規格/Outlet Spec. : G -公製Metric system Y -英製British system J-日製Japanese system
 - 腳架Horse : B-含Include 無Without-不含Not Include

● 規格表/Specifications

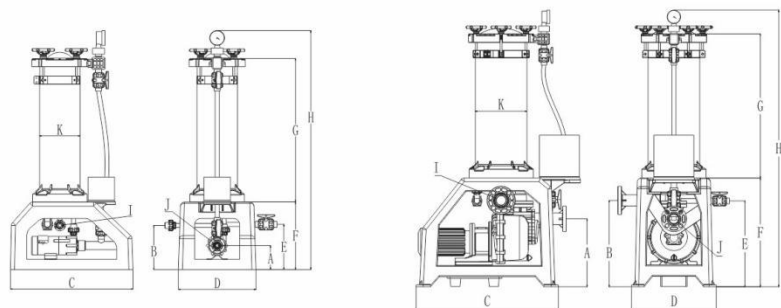
規格 Spec.	參考過濾量 Capacity (l/min)	濾桶材質 Casing.M	濾芯規格 Cartridges	濾紙規格 P-type	楊桃濾袋規格 U-type	最高溫度 Max.Temp(°C)	出入口徑 Outlet*Inlet (mm)
JL-1001	15	FRPP	10" * 1	**	**	70	20*20
JL-1004	30	FRPP	10" * 4	**	**	70	25*25
JL-2001	60	FRPP	20" * 1	**	**	70	20*20
JL-2004	80	FRPP	20" * 4	**	**	70	25*25
JL-2006	150	FRPP	20" * 6	Φ198*40	1 ps	70	40*40
JL-2008	220	FRPP	20" * 8	Φ234*40	1 ps	70	50*50
JL-2012	250	FRPP	20" * 12	Φ302*40	1 ps	70	50*50
JL-2018	330	FRPP	20" * 18	Φ370*40	1 ps	70	50*50
JK-3018	430	FRPP	30" * 18	Φ370*60	1 ps	70	50*50

JK SIZE

◆ JK安裝尺寸圖

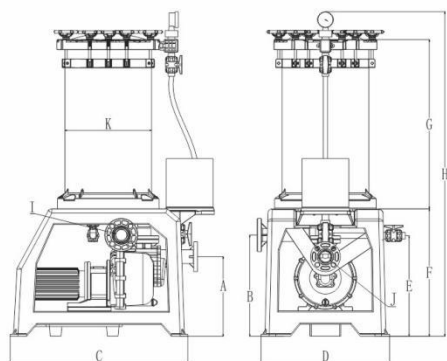
EXAMPLES

◆ 安裝示意圖



JK1001-JK2004

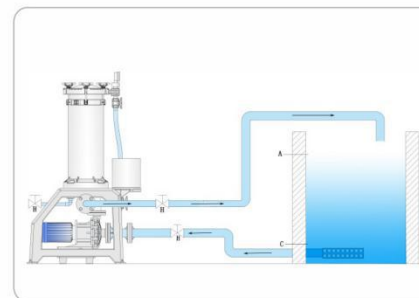
JK2006-JK2008



JK2012-JK3018

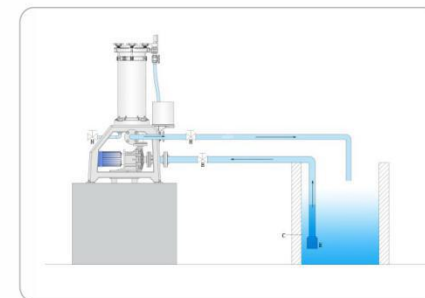
● 安裝尺寸表/Dimensions(mm)

型號	A	B	C	D	E	F	G	H	I	J	K
JK-1001	98	183	510	313	/	288	430	855	3/4"	3/4"	Φ145
JK-1004	100	215	605	385	225	330	525	900	1"	1"	Φ200
JK-2001	98	183	510	313	/	288	655	1080	3/4"	3/4"	Φ145
JK-2004	116	215	605	385	225	330	685	1155	1"	1"	Φ200
JK-2006	365	462	760	455	355	580	785	1550	1-1/2"	1-1/2"	Φ280
JK-2008	365	460	760	455	355	580	780	1500	2"	2"	Φ315
JK-2012	370	475	815	590	390	585	780	1410	2"	2"	Φ400
JK-2018	370	468	815	590	390	585	770	1490	2"	2"	Φ450
JK-3018	370	468	815	590	390	585	1025	1745	2"	2"	Φ450



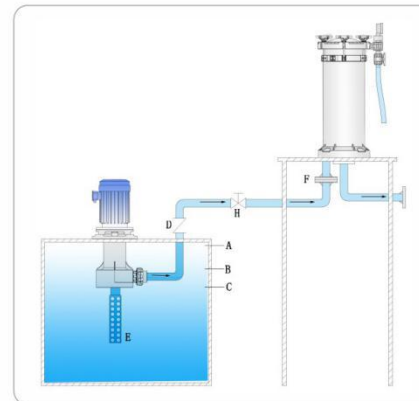
配合臥式泵正壓操作/operated at positive pressure with horizontal pump

A-工作時最高液面/The highest level for liquid transfer
C-工作時最低液面/The lowest level for liquid transfer
H-閘門/Valve



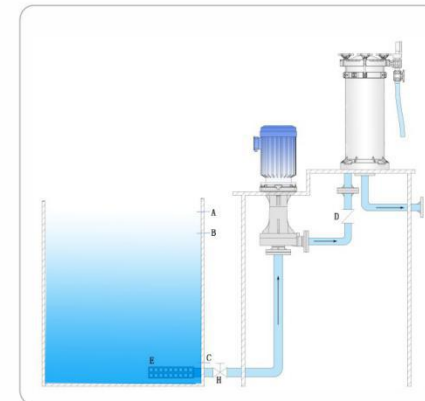
配合臥式泵負壓操作/operated at negative pressure with horizontal pump

C-工作時最低液面/The lowest level for liquid transfer
H-閘門/Valve



配合槽內立式泵安裝/Cooperate with vertical in-tank pump

A-工作時最高液面/The highest level for liquid transfer
B-起動時最低液面/The lowest level during pump peiming
C-工作時最低液面/The lowest level for liquid transfer
D-止回閘/Check Valve
E-濾網或底閘/Strainer or Foot Valve
F-法蘭/Flange
H-閘門/Valve



配合槽外立式泵安裝/Cooperate with vertical out-tank pump

A-工作時最高液面/The highest level for liquid transfer
B-起動時最低液面/The lowest level during pump peiming
C-工作時最低液面/The lowest level for liquid transfer
D-止回閘/Check Valve
E-濾網或底閘/Strainer or Foot Valve
H-閘門/Valve